

### 3. Sequences

This section describes the reference Mobile IPv6 sequences used in the Mobile IPv6 Conformance Test. Mobile IPv6 Conformance Test sends sequences of test packets to the target and expects to receive corresponding acknowledgement packets from the target. Details of the test sequences utilized in each test are given in the Test Specification documents.

The reference Mobile IPv6 sequences shows from Figure 3-1 to Figure 3-11.

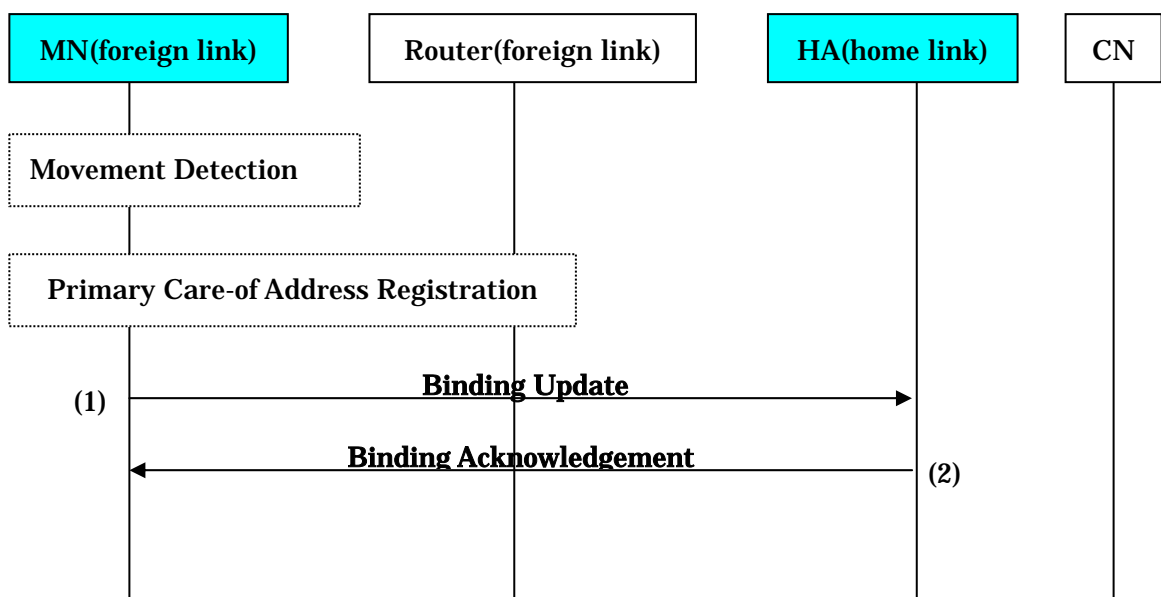
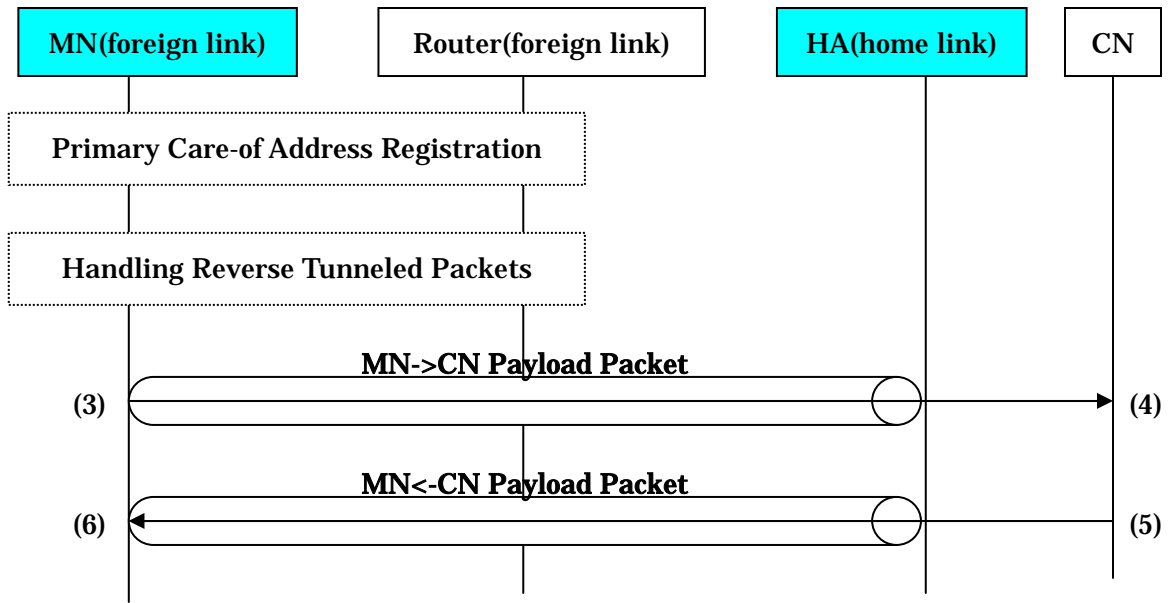
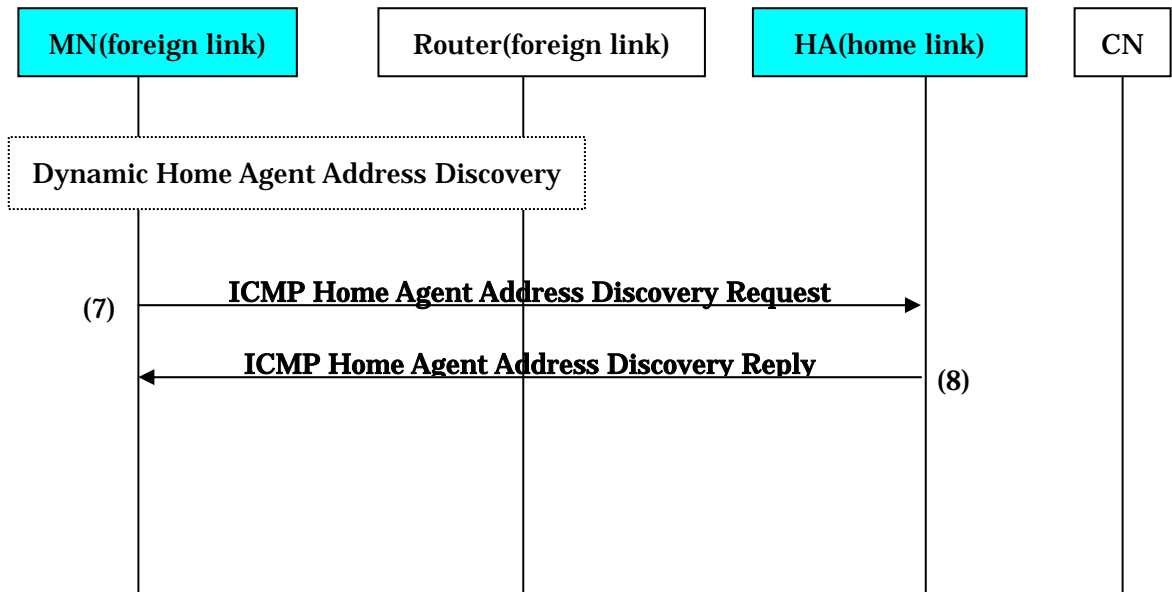


Figure 3-1 Primary Care-of Address Registration



**Figure 3-2 Handling Reverse Tunneled Packets**



**Figure 3-3 Dynamic Home Agent Address Discovery**

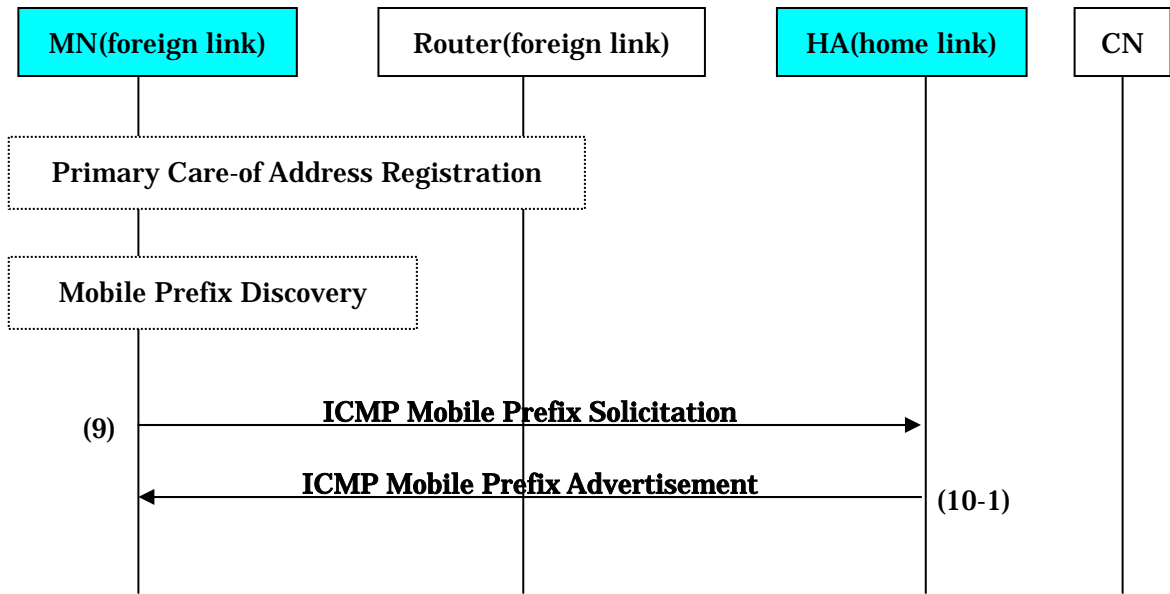


Figure 3-4-1 Mobile Prefix Discovery

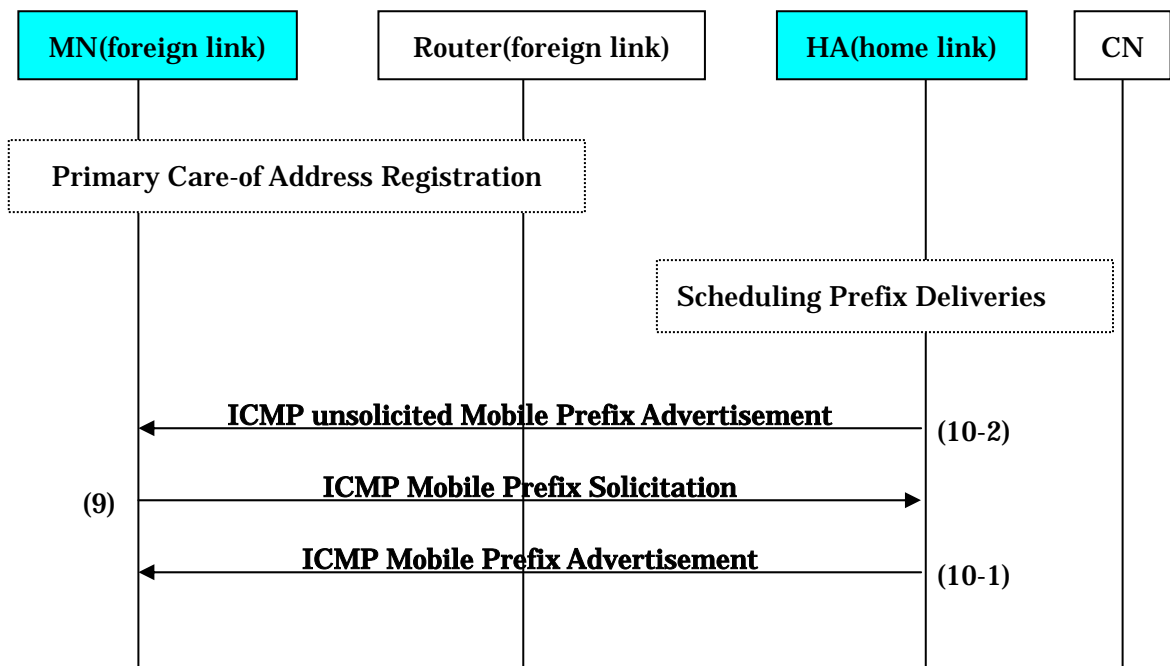
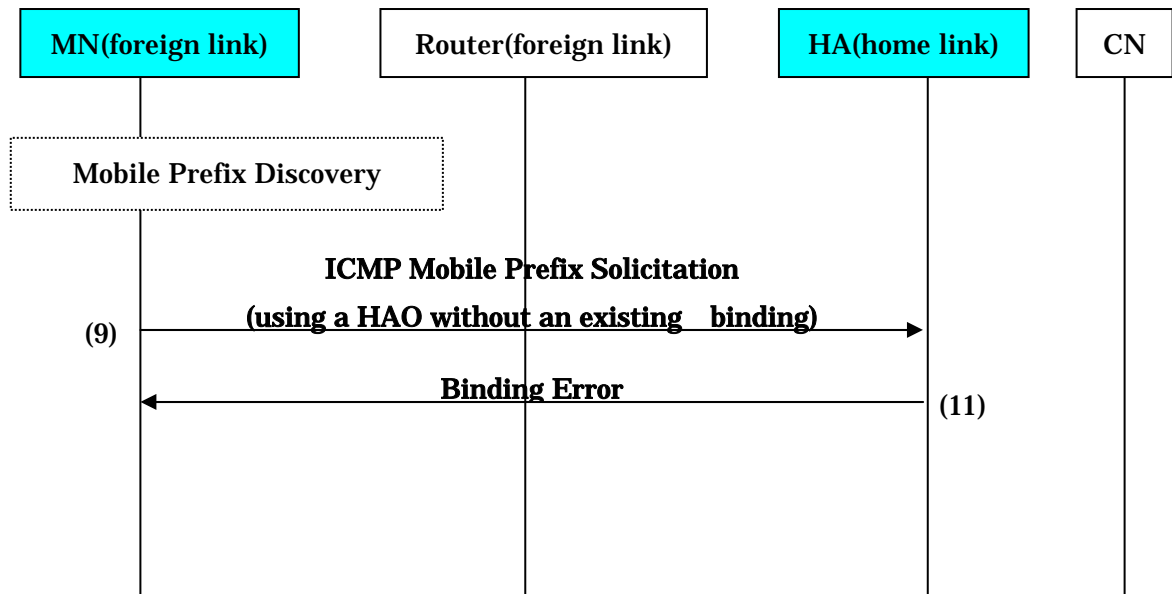
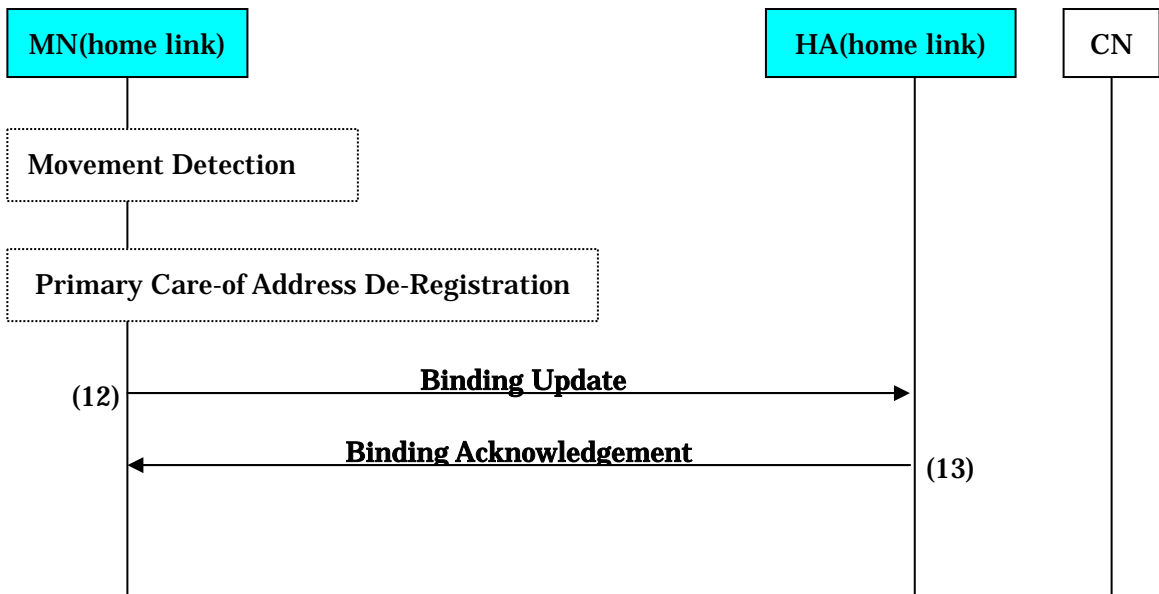


Figure 3-4-2 Mobile Prefix Discovery (unsolicited Mobile Prefix Advertisement)



**Figure 3-5 Sending Binding Error message**



**Figure 3-6 Returning Home (Primary Care-of Address De-Registration)**

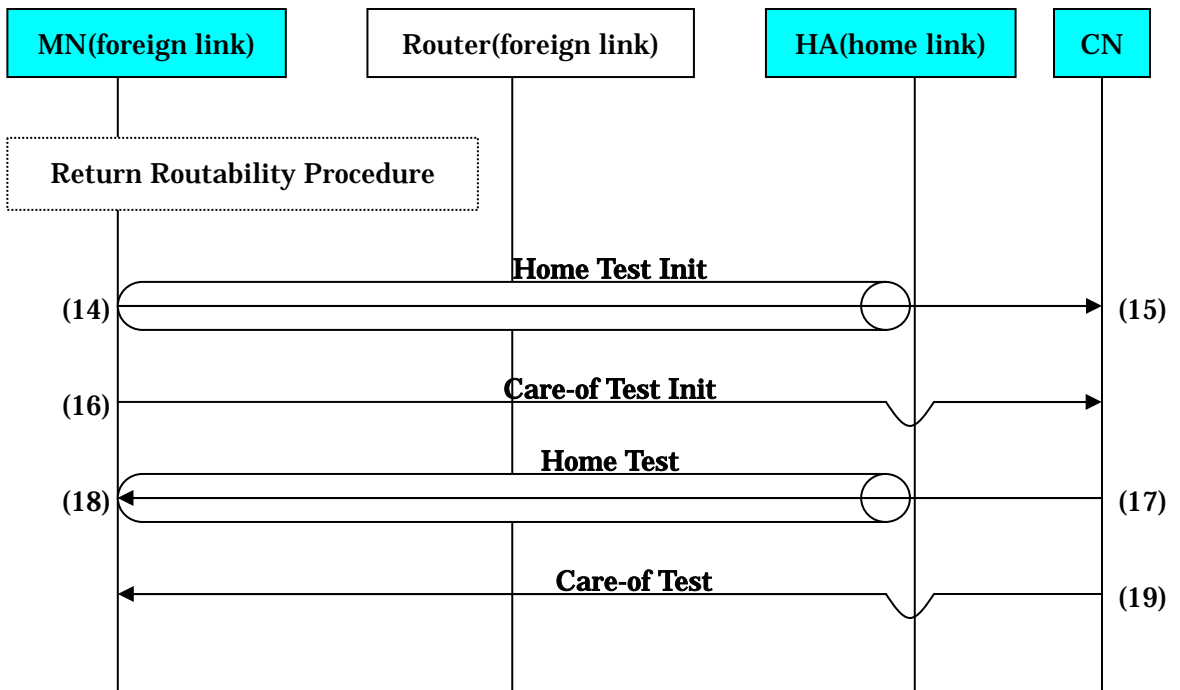


Figure 3-7 Return Routability Procedure

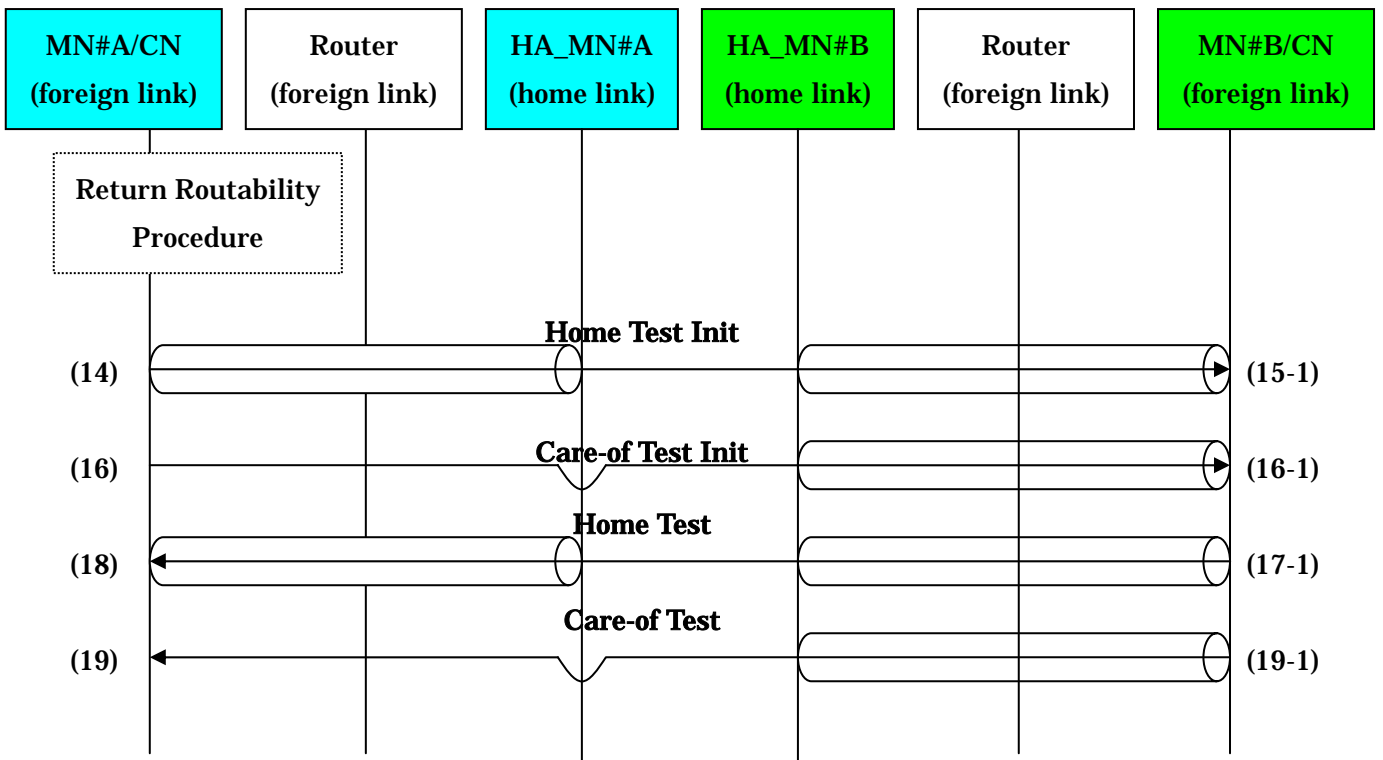


Figure 3-7-a Return Routability Procedure (Mobile to Mobile)

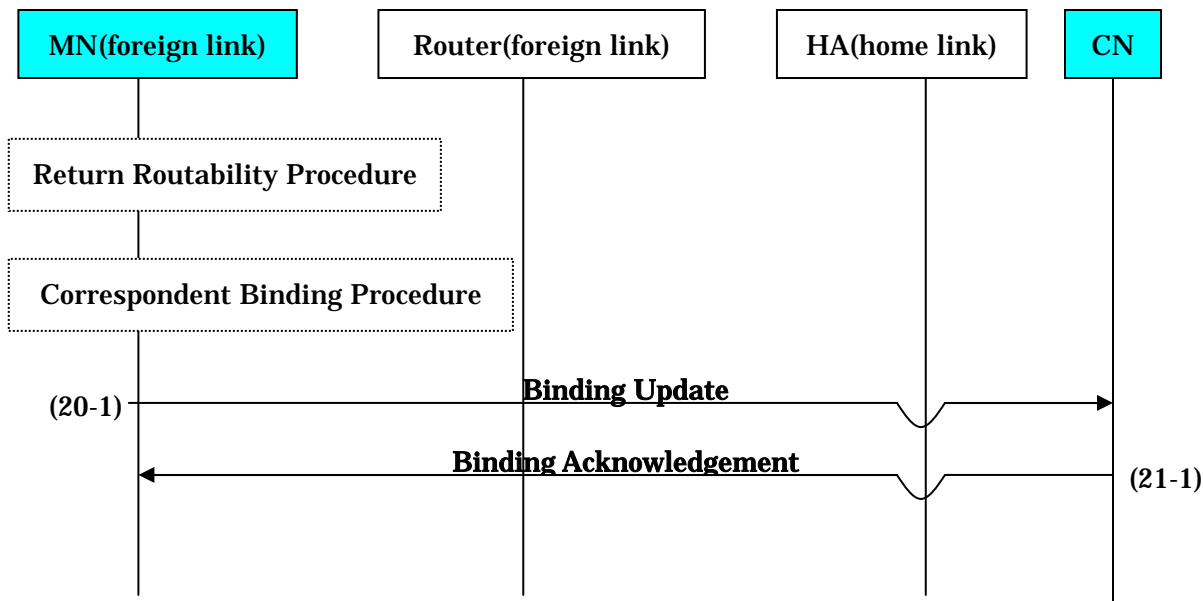


Figure 3-8-1 Correspondent Binding Procedure

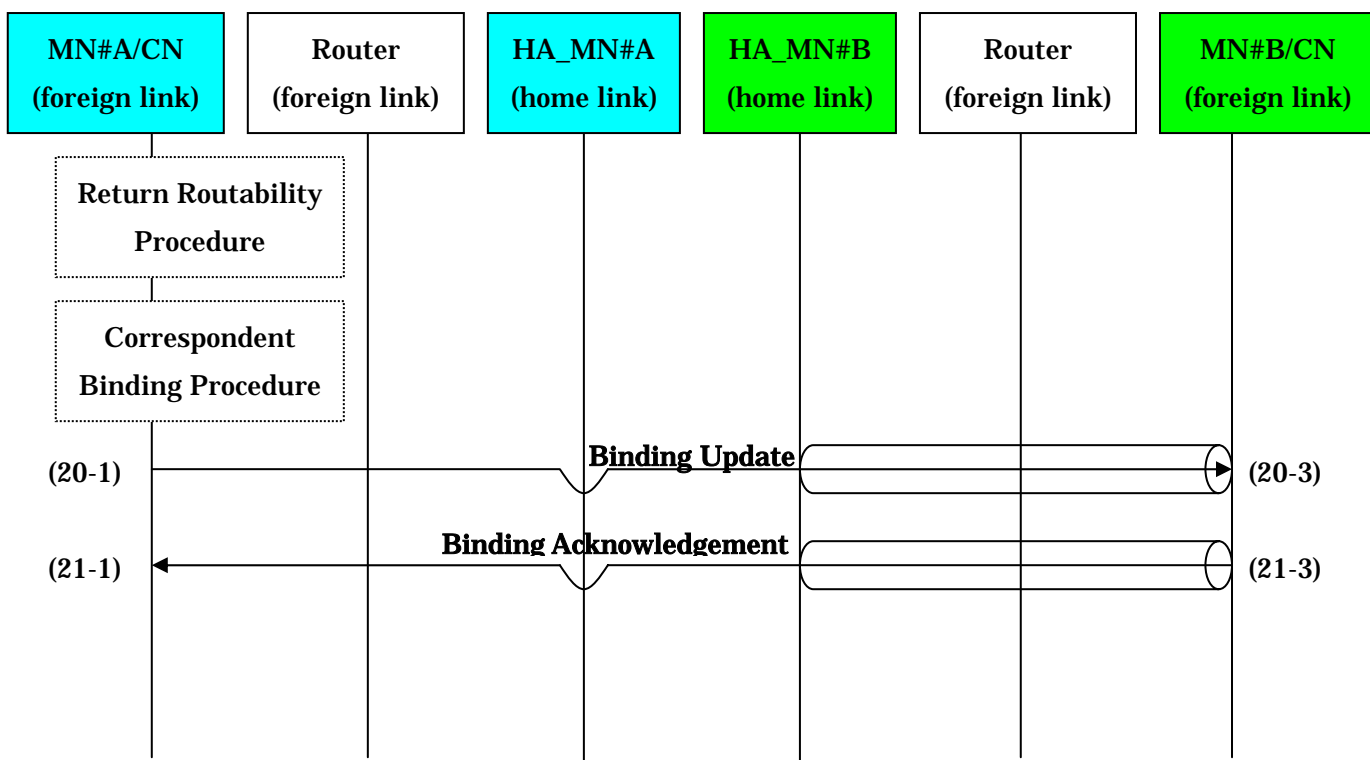
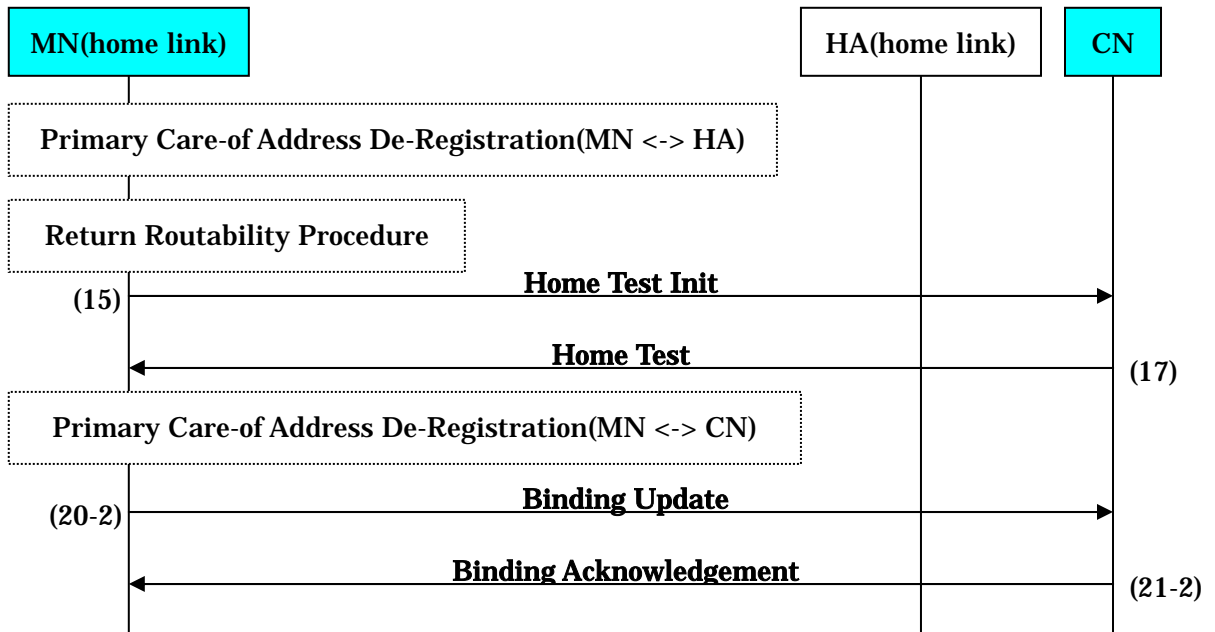
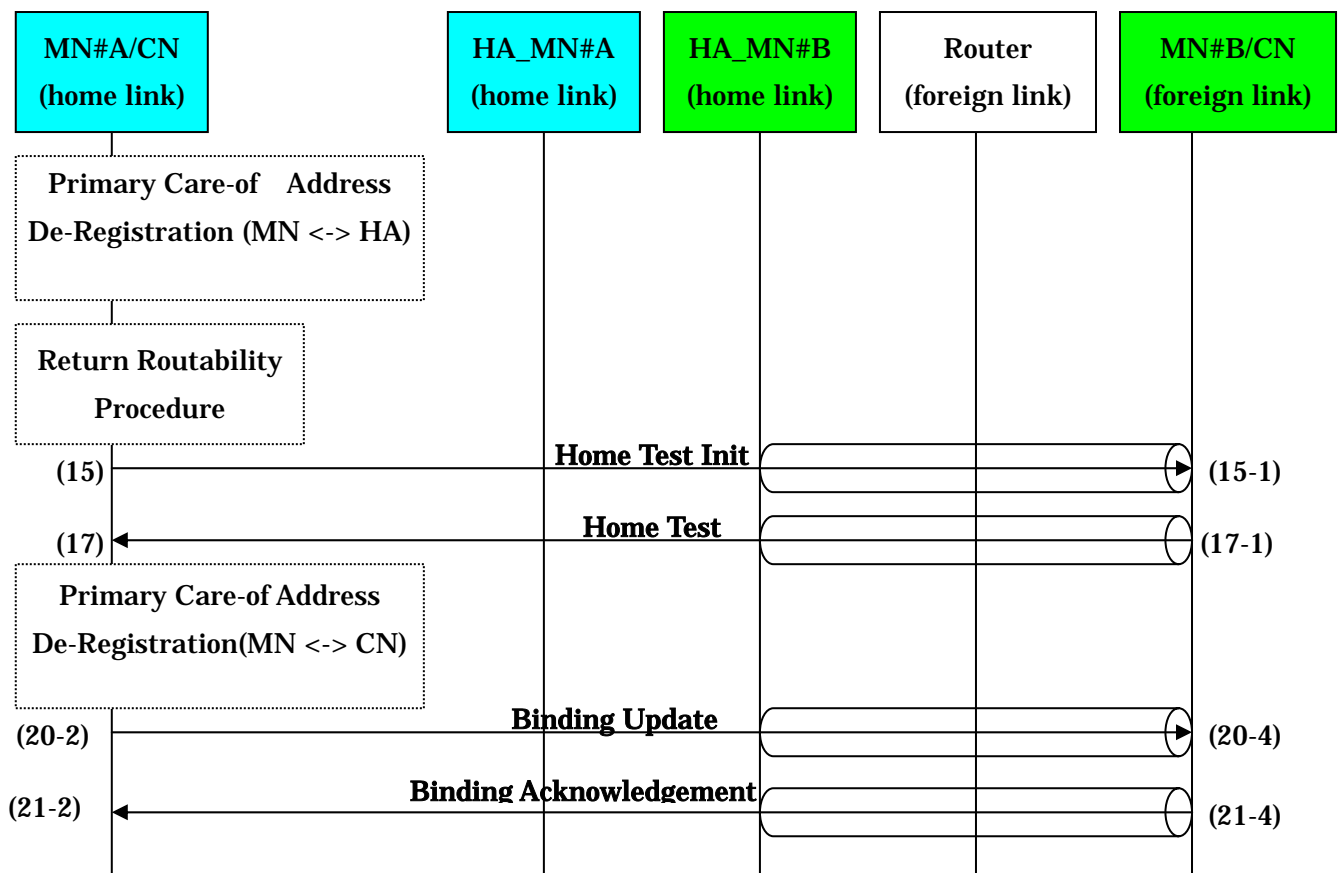


Figure 3-8-1-a Correspondent Binding Procedure (Mobile to Mobile)

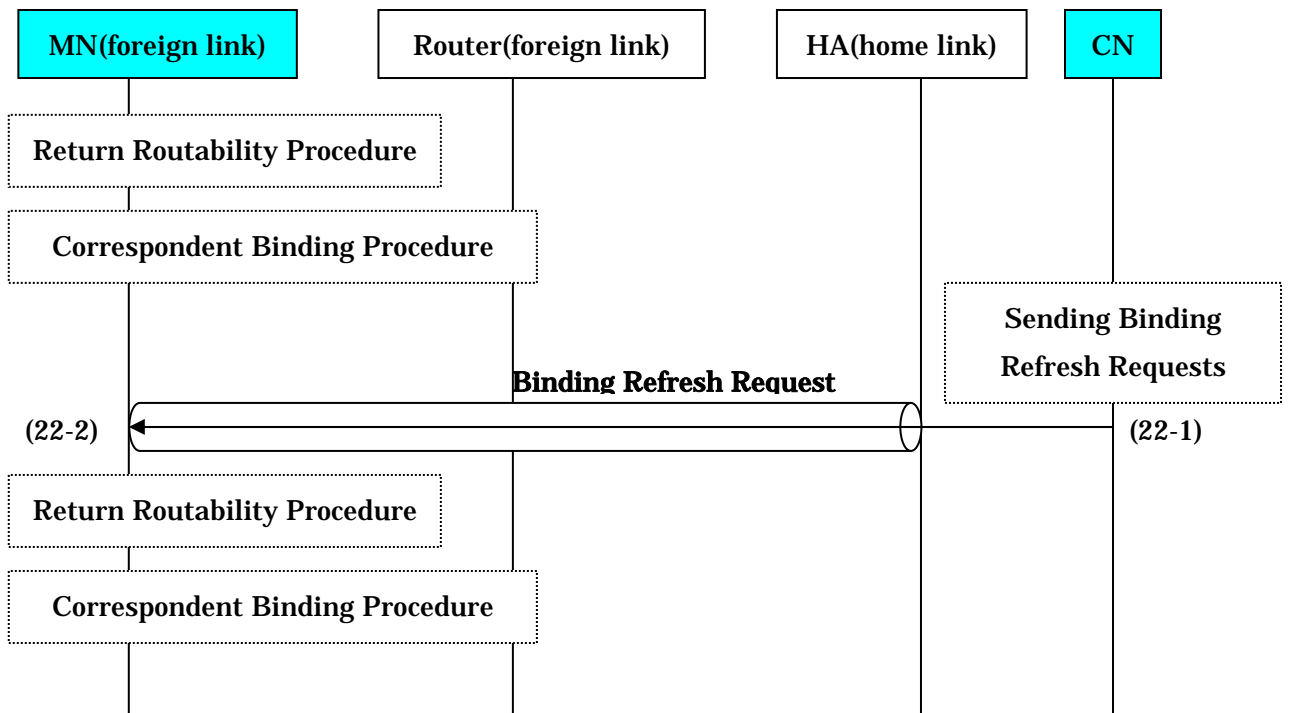


**Figure 3-8-2 Correspondent Binding Procedure (Returning Home)**

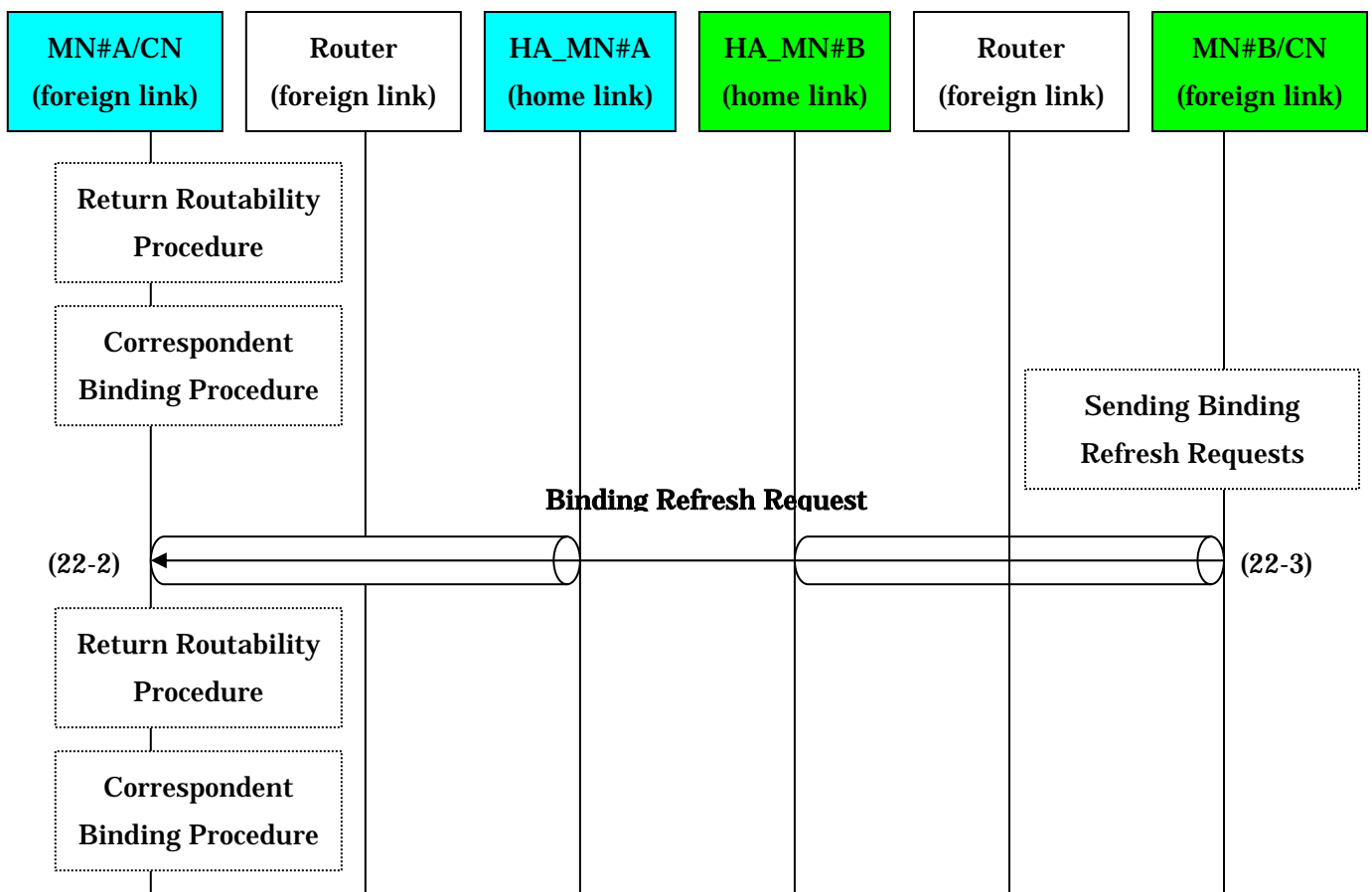


**Figure 3-8-2-a Correspondent Binding Procedure (Returning Home) (Mobile to Mobile)**

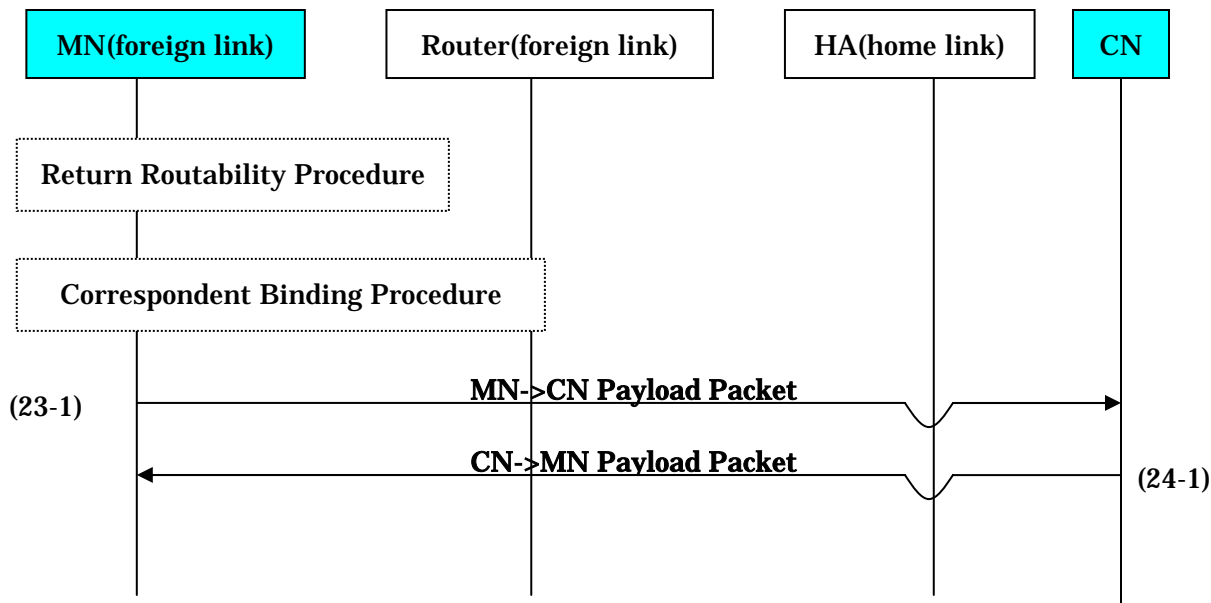
This sequence is the same whether MN#B has finished a return routability procedure or not.



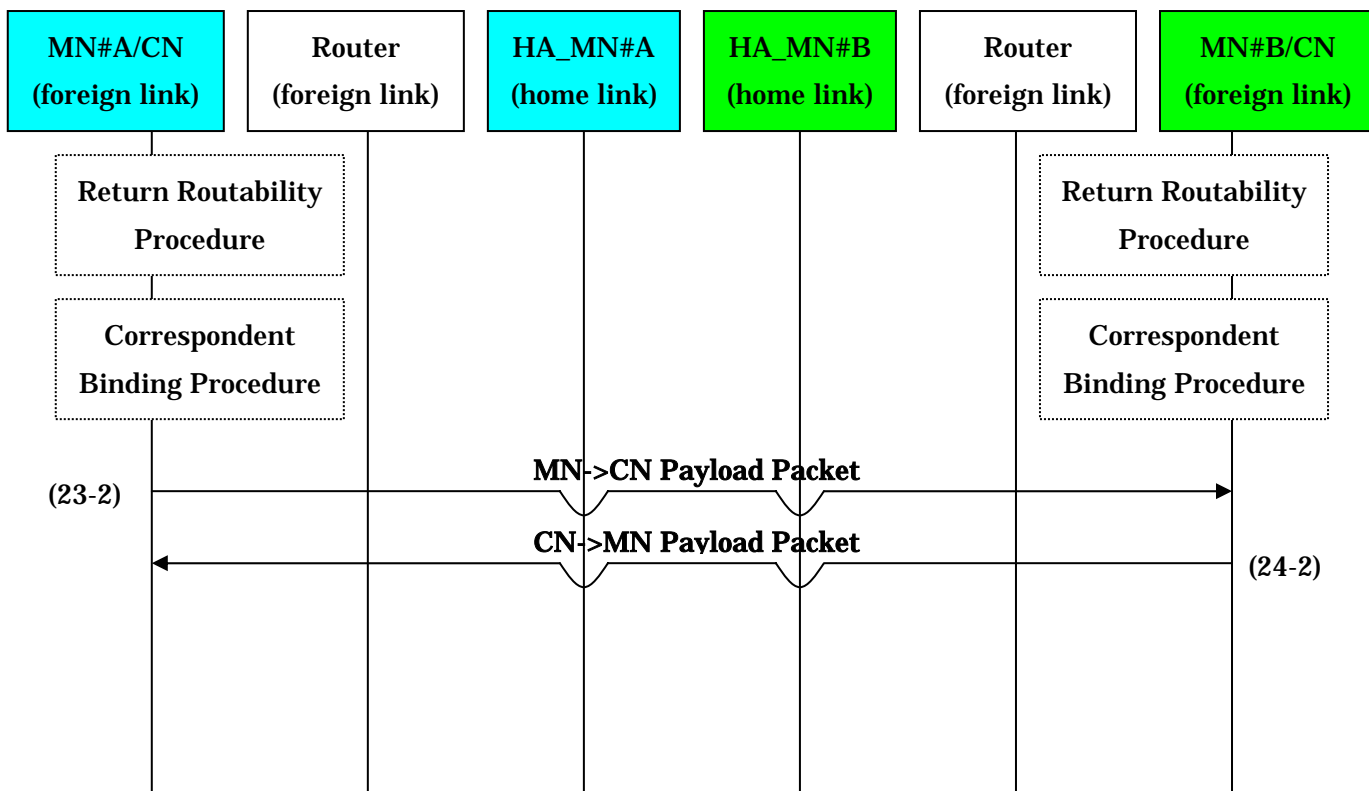
**Figure 3-9 Sending Binding Refresh Requests**



**Figure 3-9-a Sending Binding Refresh Requests (Mobile to Mobile)**



**Figure 3-10 Route Optimization**



**Figure 3-10-a Route Optimization (Mobile to Mobile)**

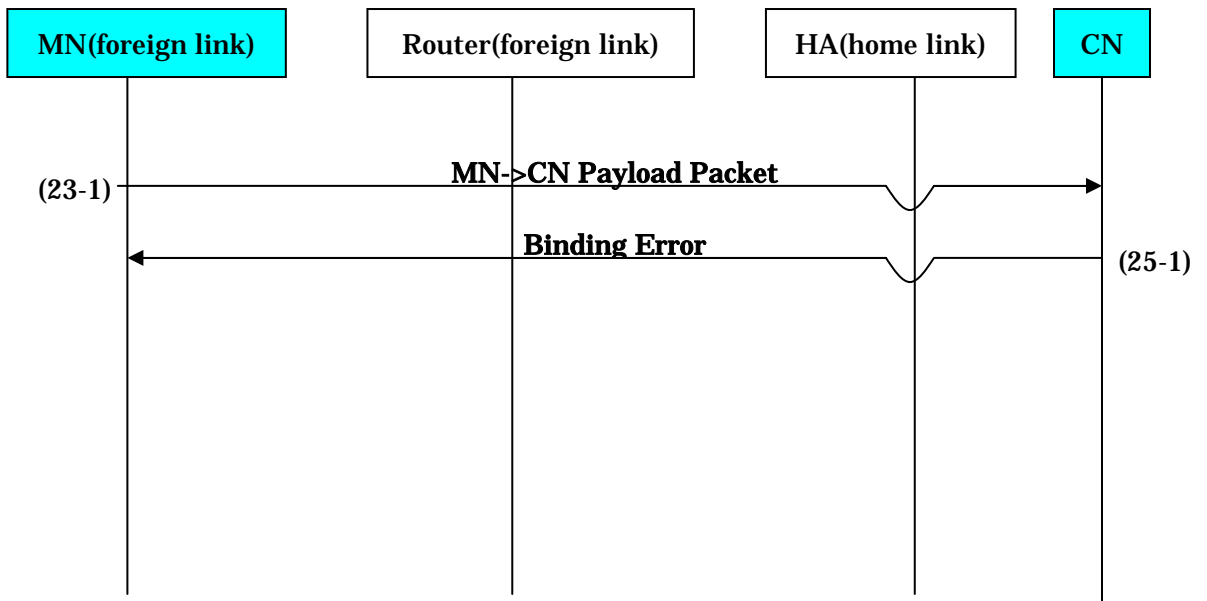


Figure 3-11 Sending Binding Error message

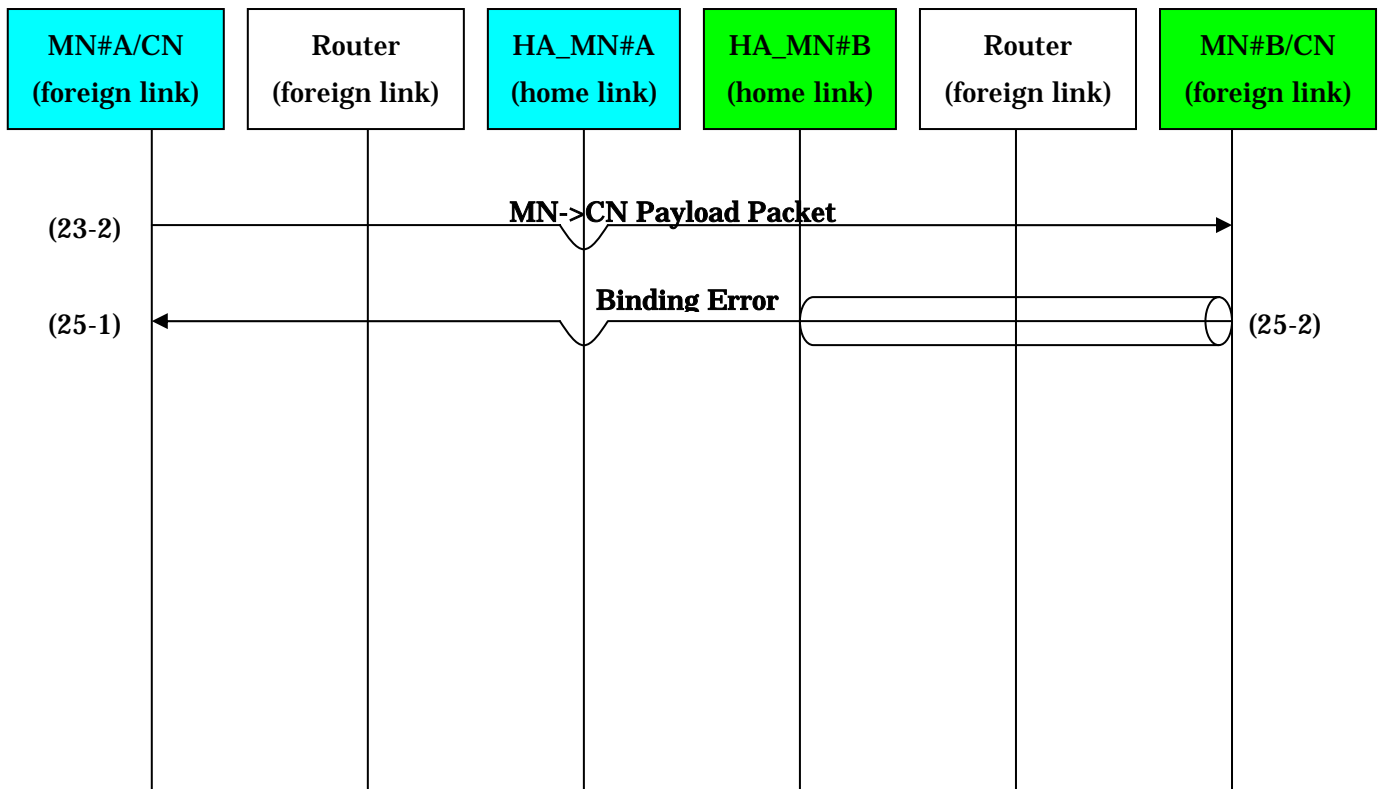


Figure 3-11-a Sending Binding Error message (Mobile to Mobile)