



TAHI semi-automatic interoperability test tool

Yokogawa Electric Corporation

Yukiyo Akisada

2006.01.24



Background

- Interoperability test of IPv6 Ready Logo Phase-2 Core Protocols is quite a little difficult.
 - Have to obtain Many files
 - Have to use many physical topology to test
 - Every test is using a different topology



“vel” was born

“vel”

Is

Initial character of

“Virtual Evaluation Laboratory”



What can “vel” do?

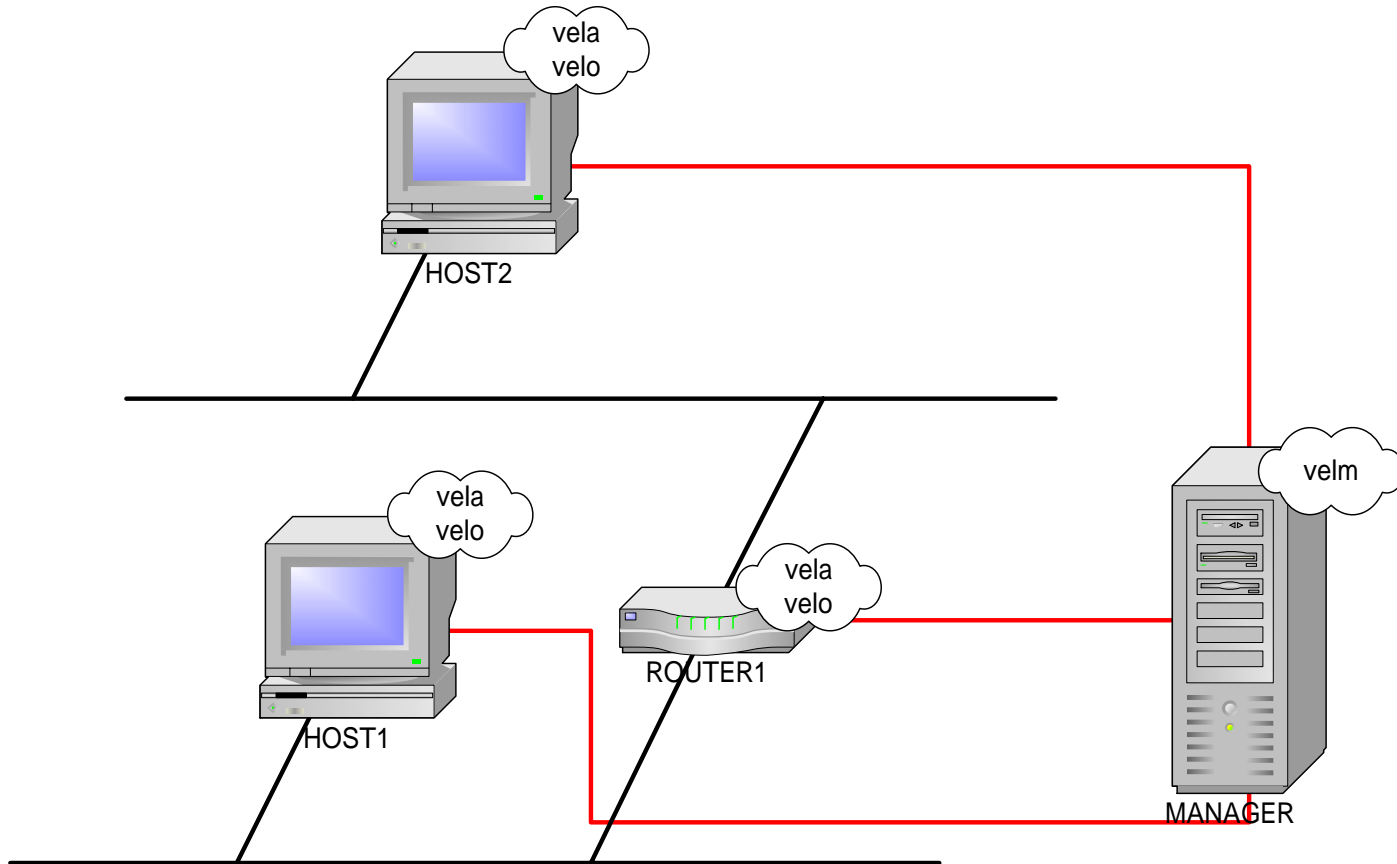
- Control all devices which are needed in interoperability test scenario
- Use as Like as conformance test
 - Semi-Automation
 - logging
 - You just put target in “vel” environment



Architecture of “vel”

- “velm”
 - “vel” manager
- “vela”
 - “vel” agent
- “velo”
 - “vel” operator

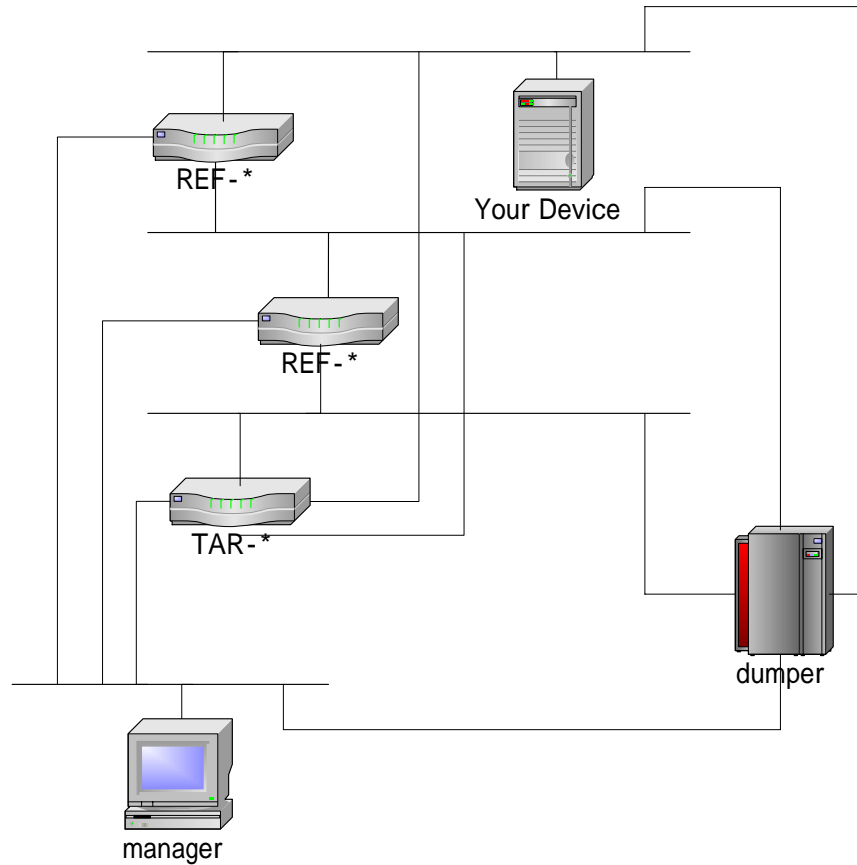
“vel” framework



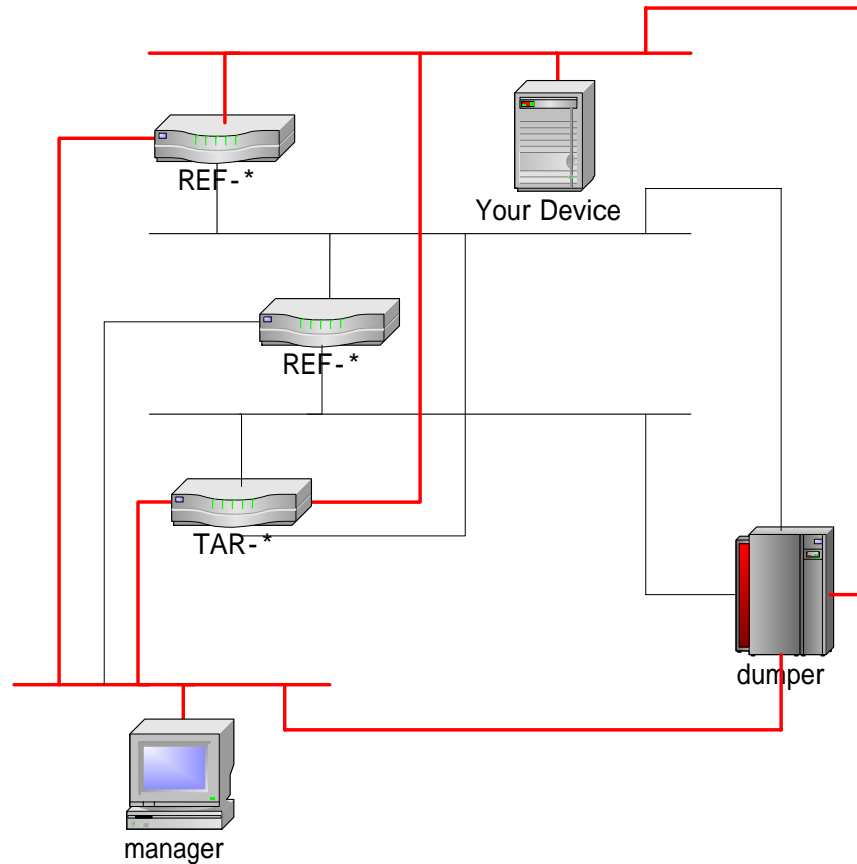
Adopt to

Phase-2 Core Protocols ...

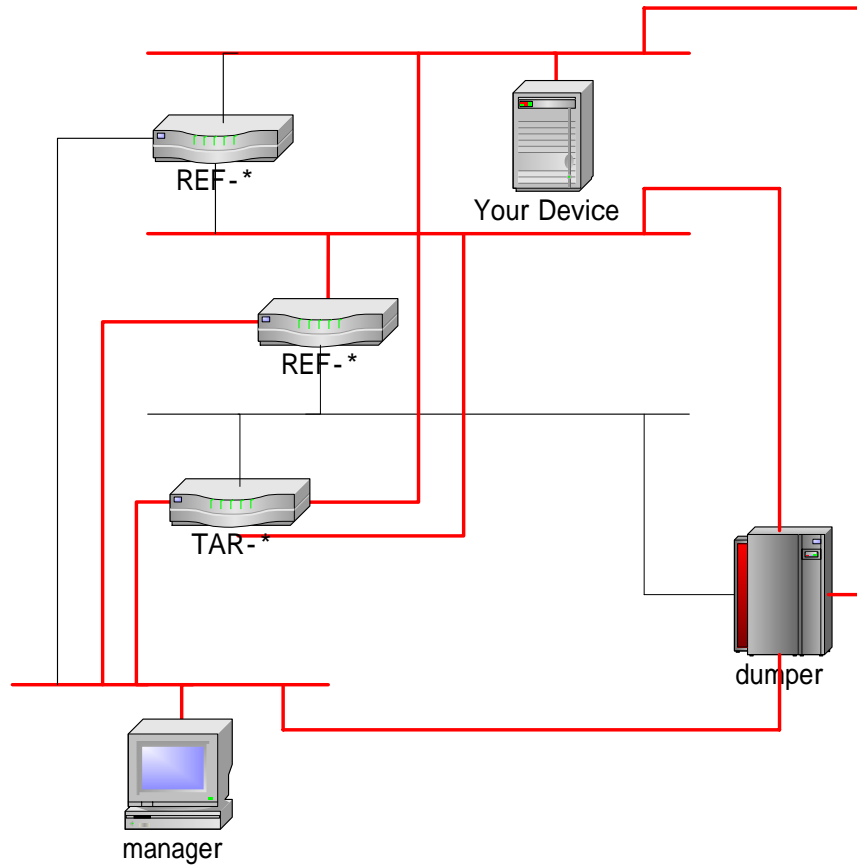
Unified Topology



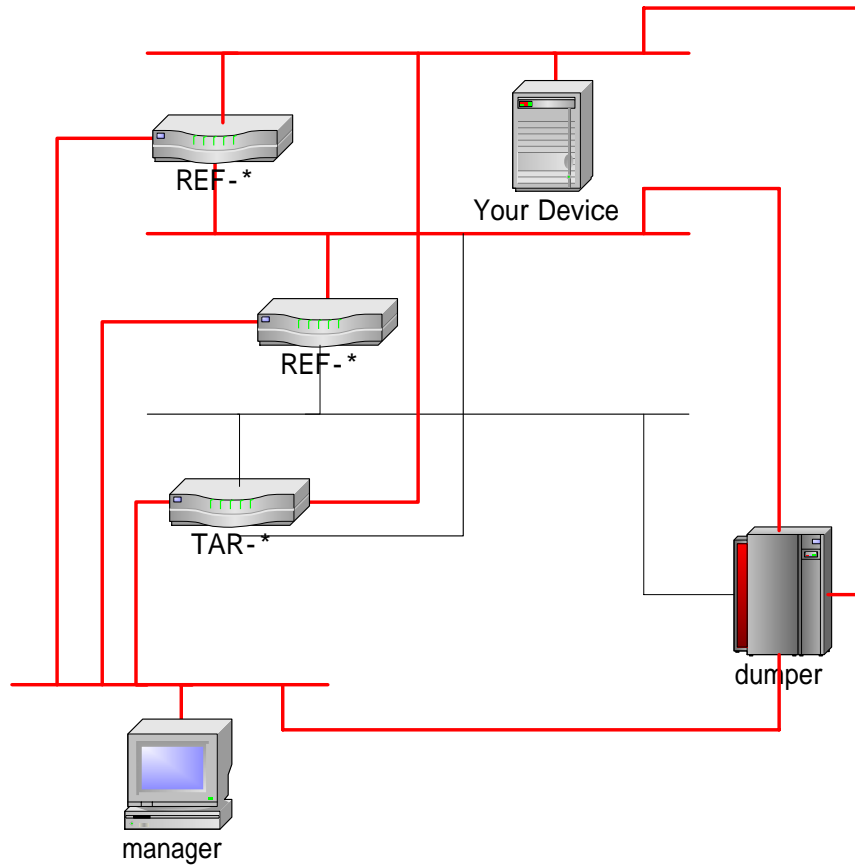
Ex) Test IP6 Interop.1.1 Part A



Ex) Test IP6 Interop.1.4



Ex) Test IP6 Interop.1.5





For more use...

- It can be used in other test scenario.
 - IPsec
 - MIPv6
 - ... etc.
- You can make any scenario as you like.



If you have interesting in ...

- Please come to backside of testing room.
 - You can see “vel” environment itself!!



EOF

Thsnks!!!!